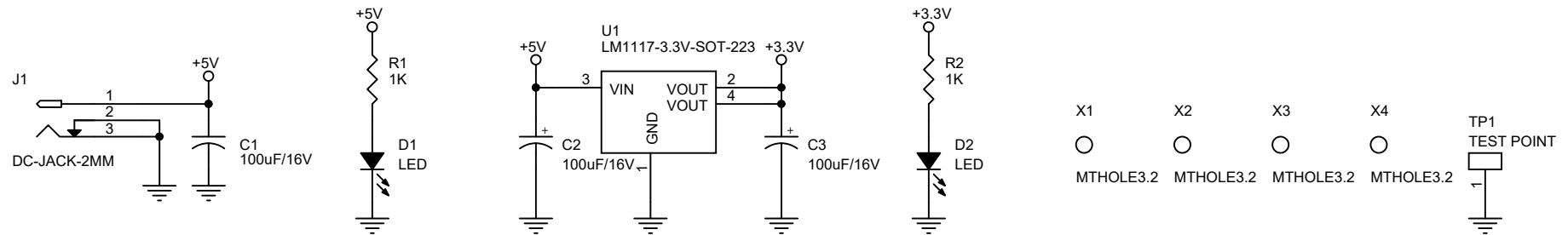


BL-5001



www.BoardFree.kr



TEL: 02-1544-7192
FAX: 0303-0554-3035
E-MAIL: pcb@boardlab.net

Date : 02/02/2023

Model : BL-5001

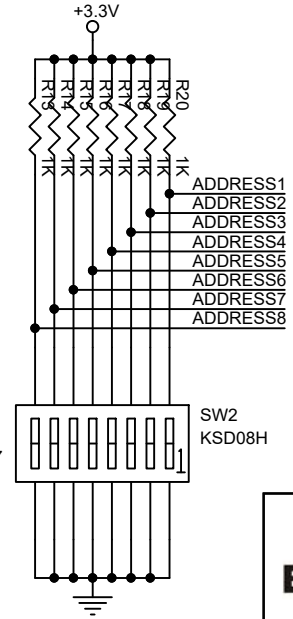
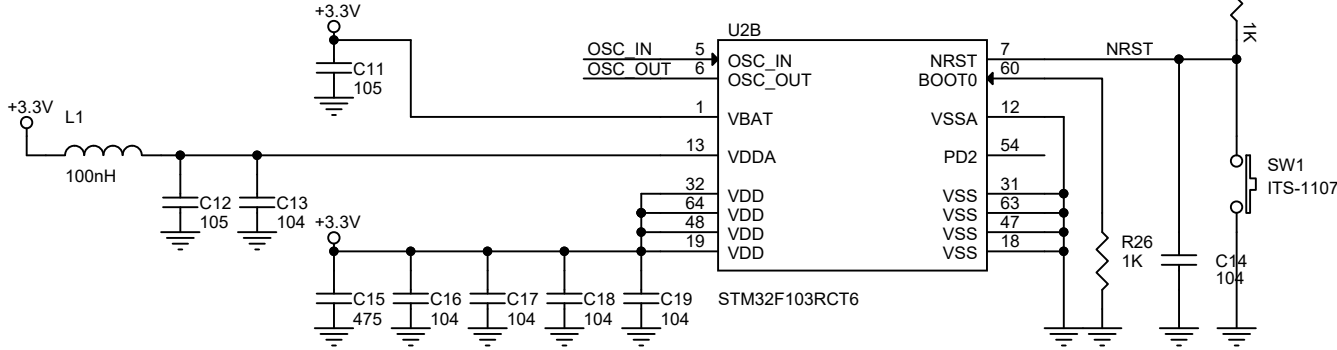
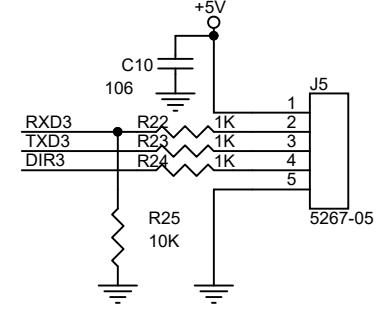
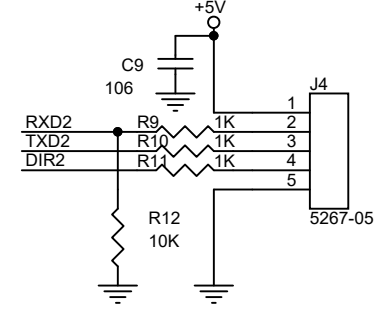
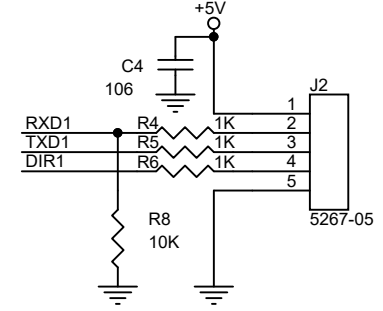
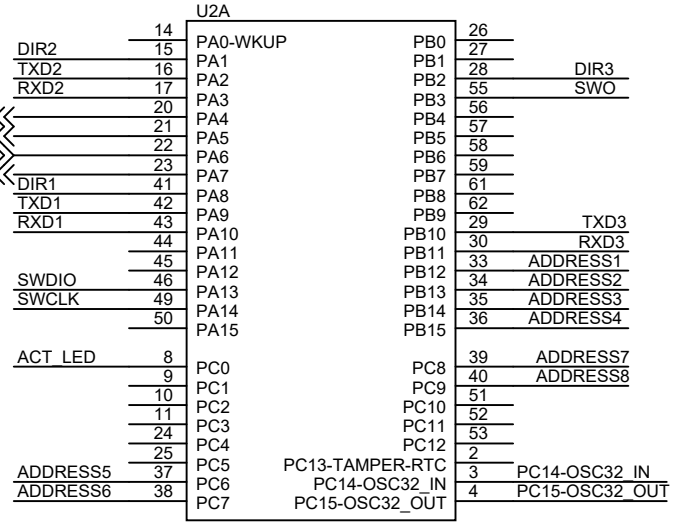
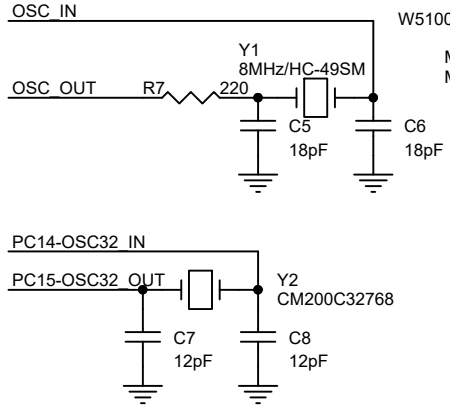
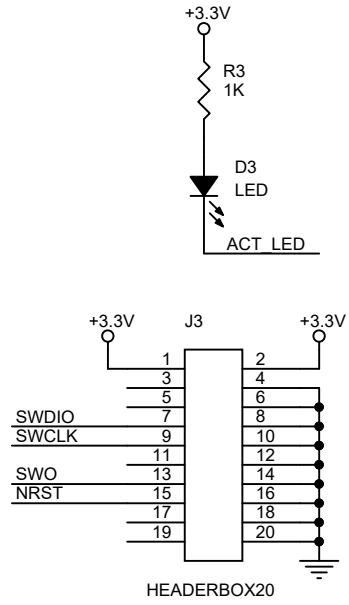
Rev : 1.0

Size : A4

Sheet 1 of 3

Designer : LED SO RI

Notes : <Note>



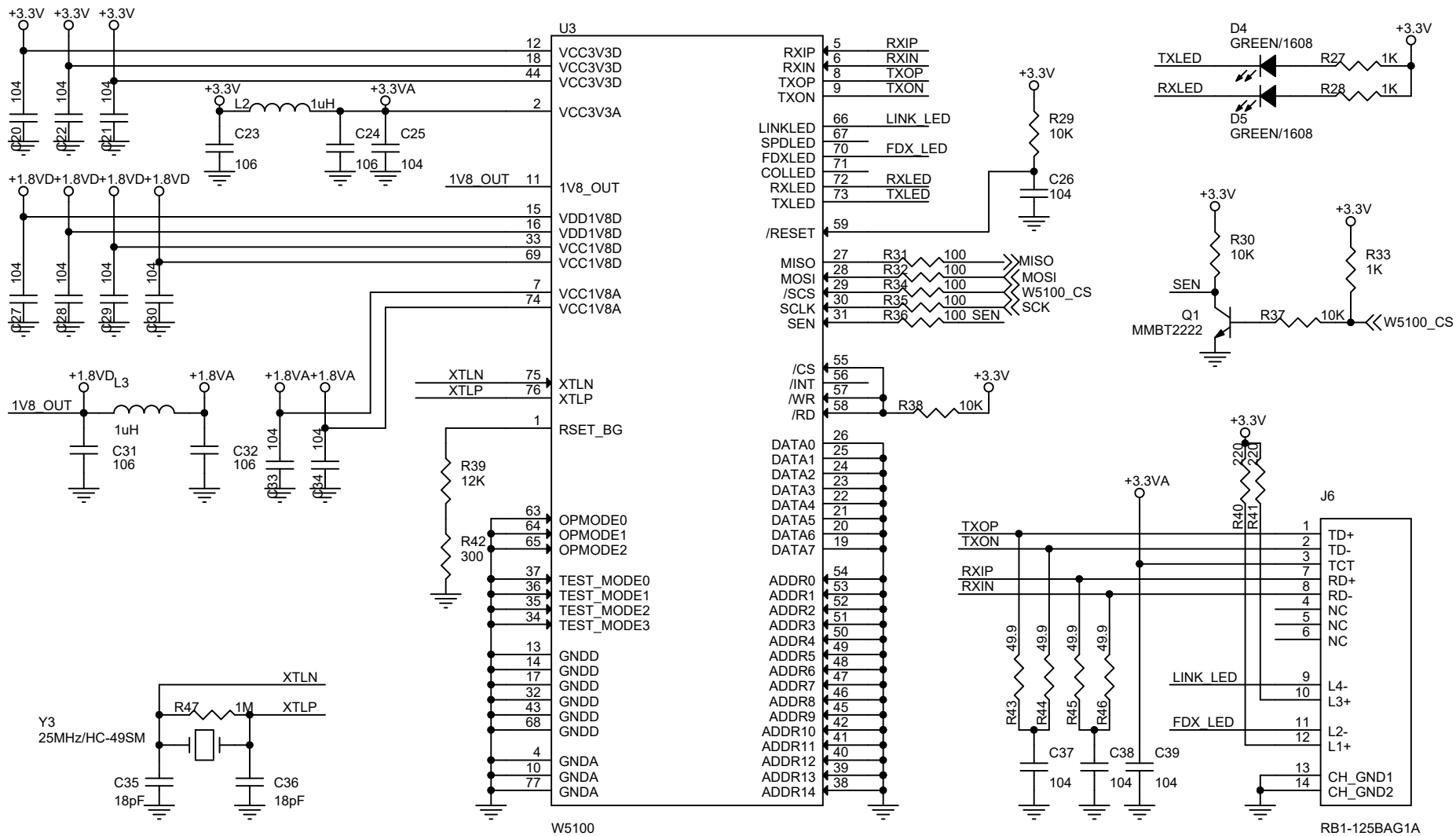
BOARD LAB TEL: 02-1544-7192
 FAX: 0303-0554-3035
 E-MAIL: pcb@boardlab.net

Date : 02/08/2023

Model : BL-5001 Rev : 1.0

Size : A4 Sheet 2 of 3 Designer : LED SO RI

Notes : <Note>



BOARD LAB TEL: 02-1544-7192
 FAX: 0303-0554-3035
 E-MAIL: pcb@boardlab.net

Date : 02/01/2023

Model : BL-5001 Rev : 1.0

Size : A4 Sheet 3 of 3 Designer : LED SO RI

Notes : <Note>