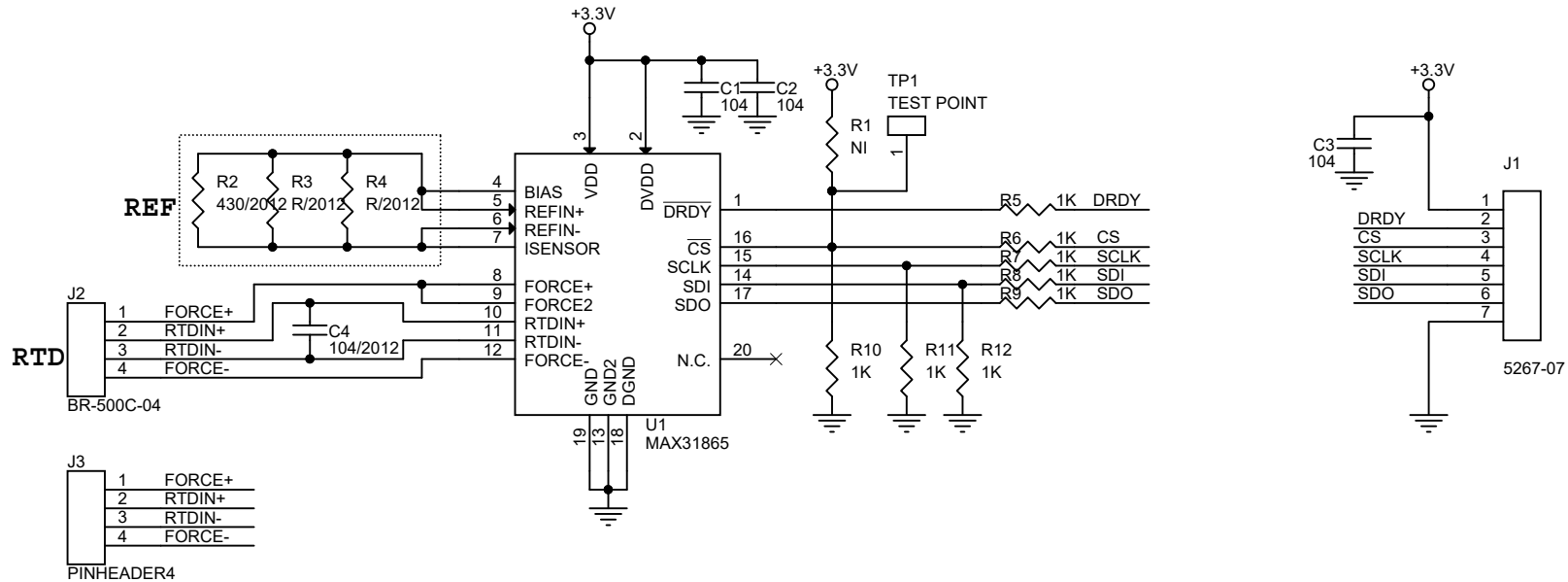



X1 X2 X3 X4
 ○ ○ ○ ○
 MTHOLE3.2 MTHOLE3.2 MTHOLE3.2 MTHOLE3.2



BL-5002
www.BoardFree.kr

		TEL: 02-1544-7192	
		FAX: 0303-0554-3035	
		E-MAIL: pcb@boardlab.net	
Date : 02/13/2023			
Model : BL-5002			Rev : <RevC>
Size : A4	Sheet 1 of 1	Designer : CHO EUN SEO	
Notes : <Note>			