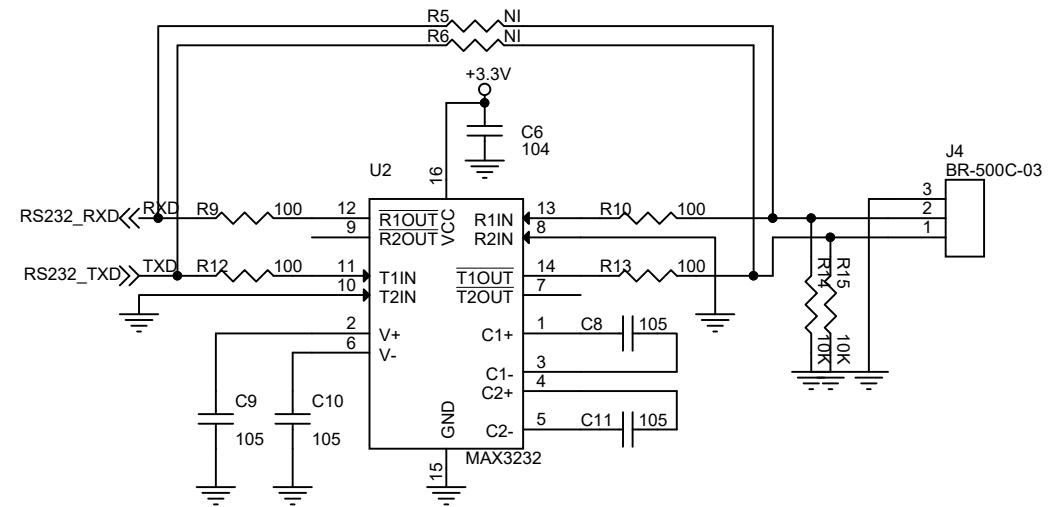
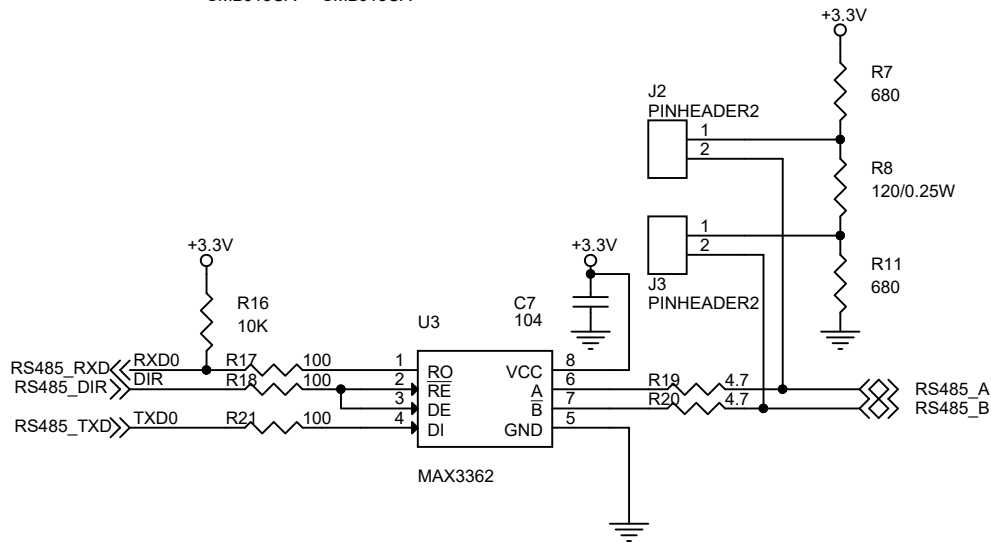
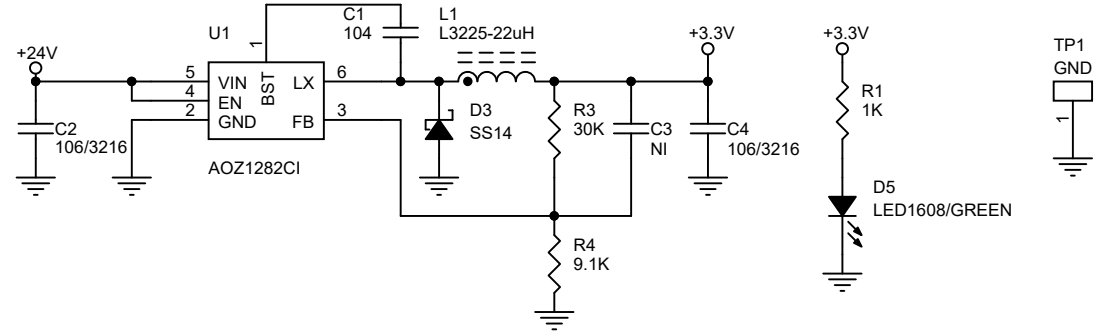
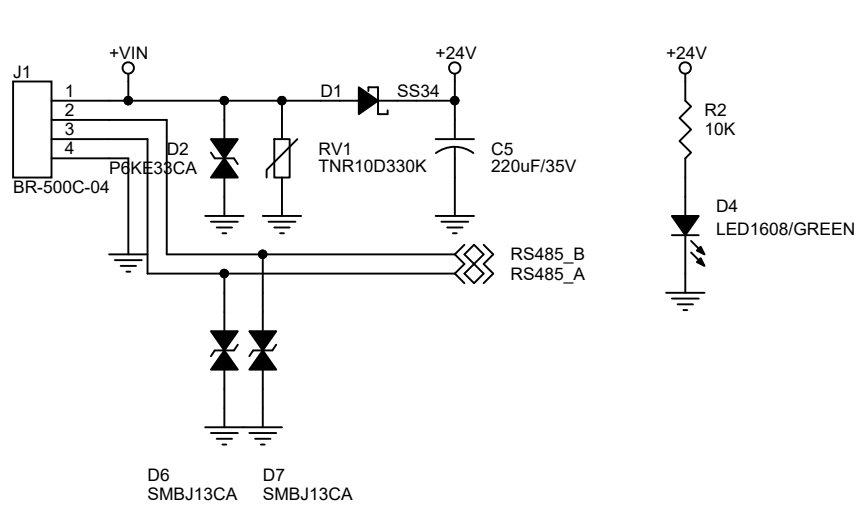


BL-5008

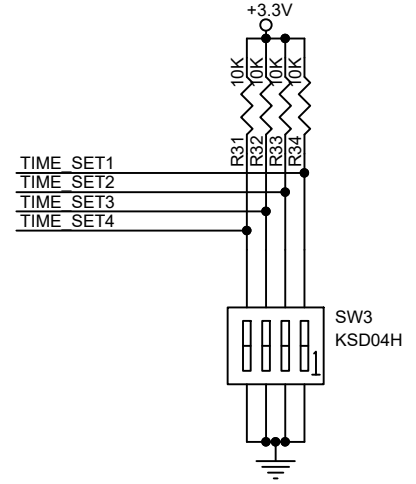
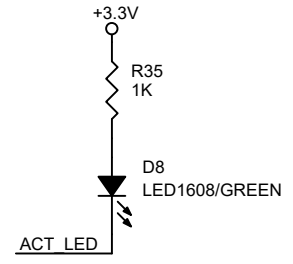
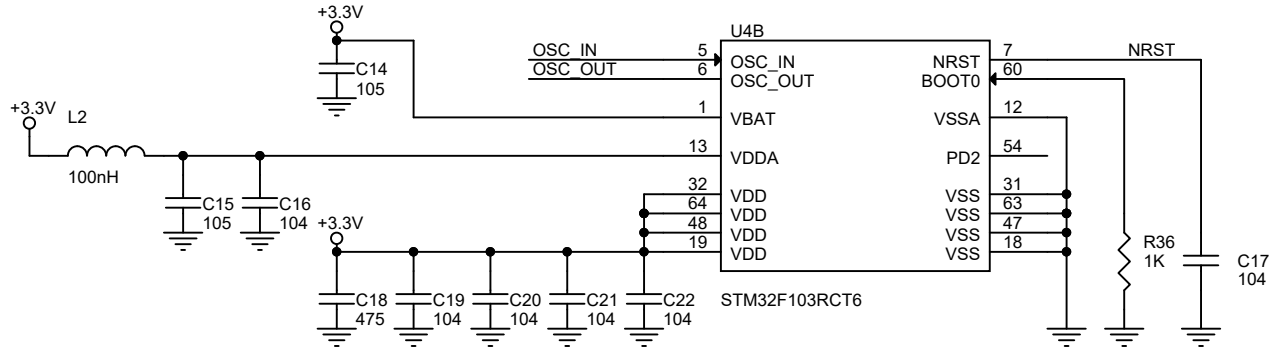
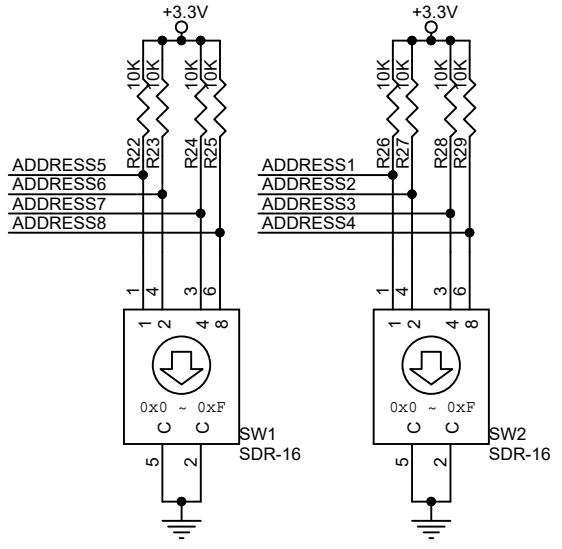
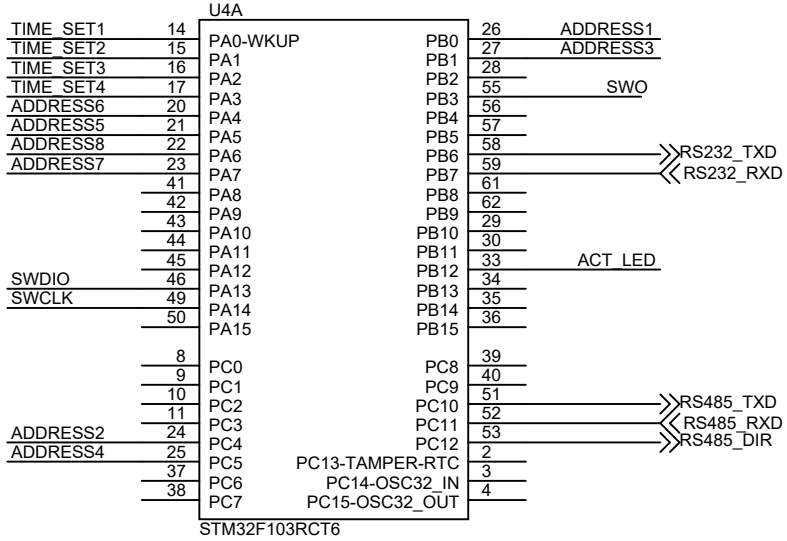
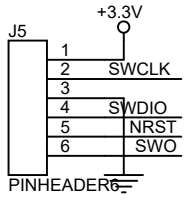
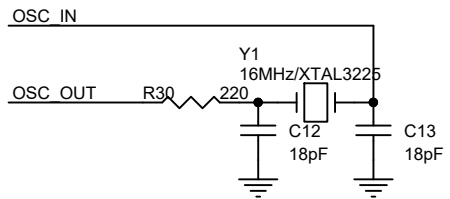
X1 X2 X3 X4
 ○ ○ ○ ○
 MTHOLE3.2 MTHOLE3.2MTHOLE3.2MTHOLE3.2



www.BoardFree.kr

BOARD LAB TEL: 02-1544-7192
 FAX: 0303-0554-3035
 E-MAIL: pcb@boardlab.net

Date : 09/15/2023		
Model : BL-5008	Rev : 1.0	
Size : A4	Sheet 1 of 2	Designer : LEE RA KYOUNG
Notes : <Note>		



BOARD LAB TEL: 02-1544-7192
FAX: 0303-0554-3035
E-MAIL: pcb@boardlab.net

Date : 06/16/2023

Model : BL-5008 Rev : 1.0

Size : A4 Sheet 2 of 2 Designer : LEE RA KYOUNG

Notes : <Note>