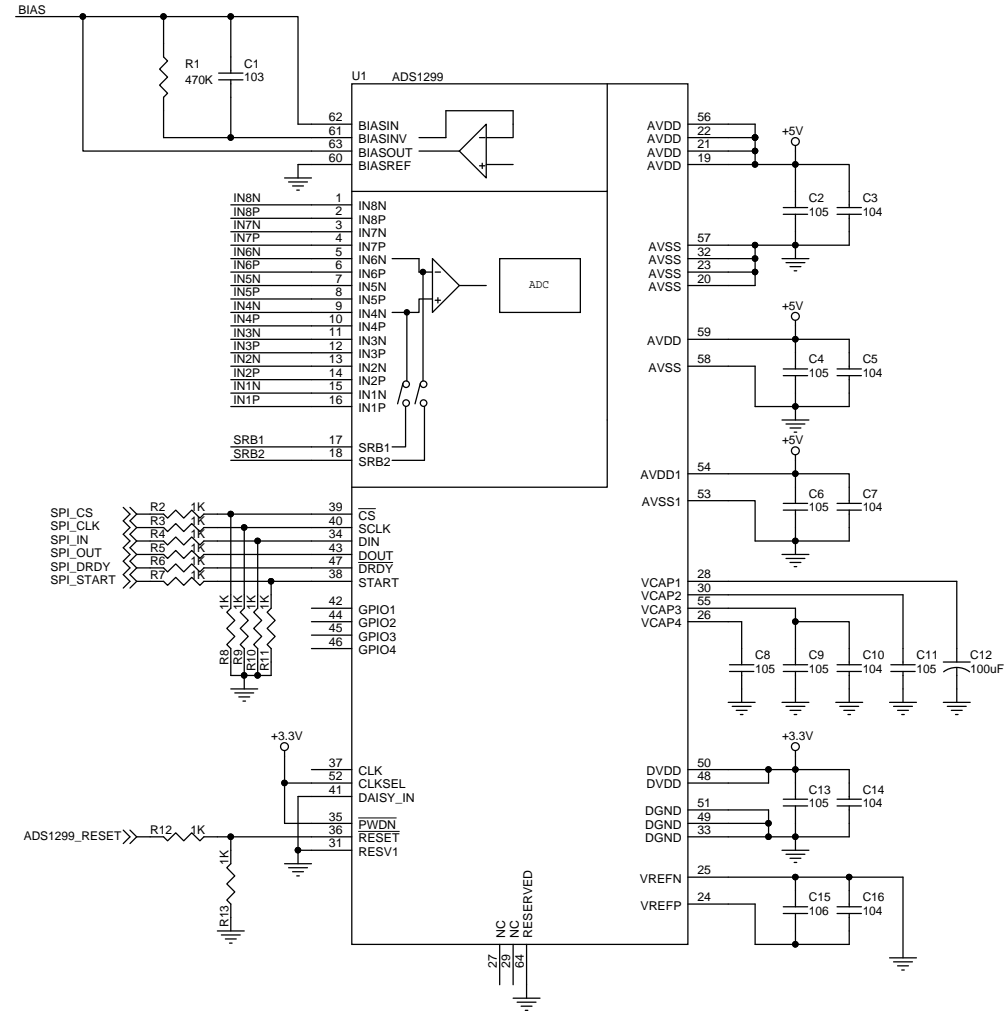
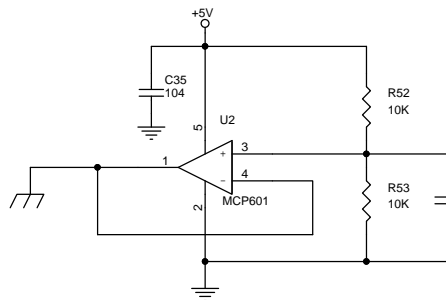
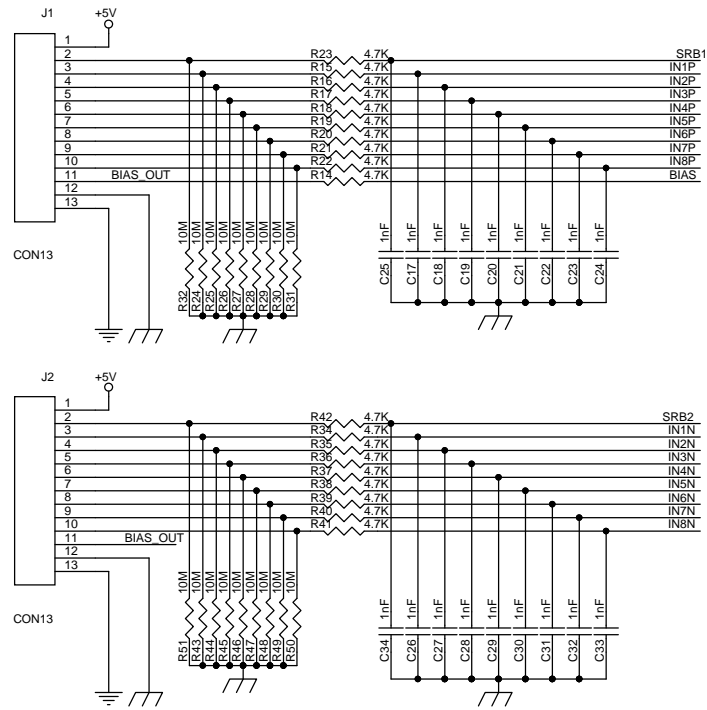
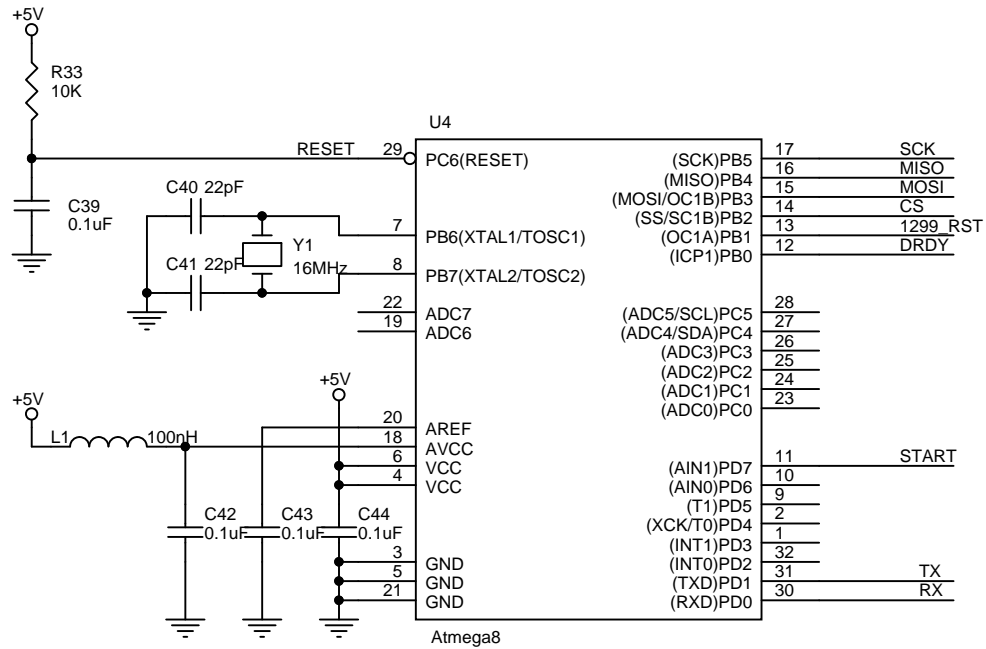
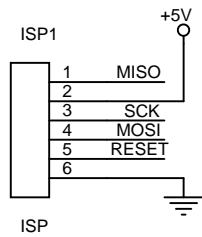
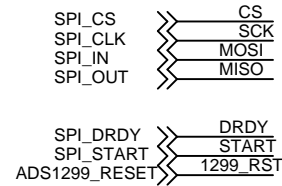
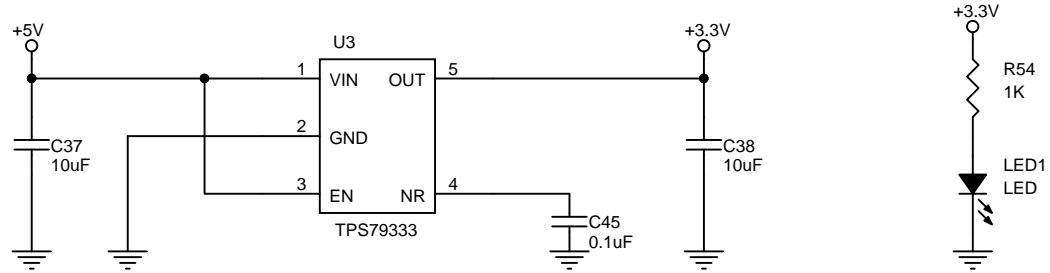
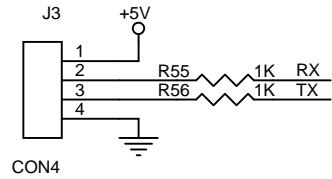


# www.BoardFree.kr BL-514



Title			<Title>
Size	Document Number	Rev	
A3	<Doc>	<Rev>	
Date:	Monday, November 27, 2017	Sheet	1 of 2



Title		
<Title>		
Size	Document Number	Rev
A4	<Doc>	<Rev>
Date:	Friday, November 17, 2017	Sheet 2 of 2