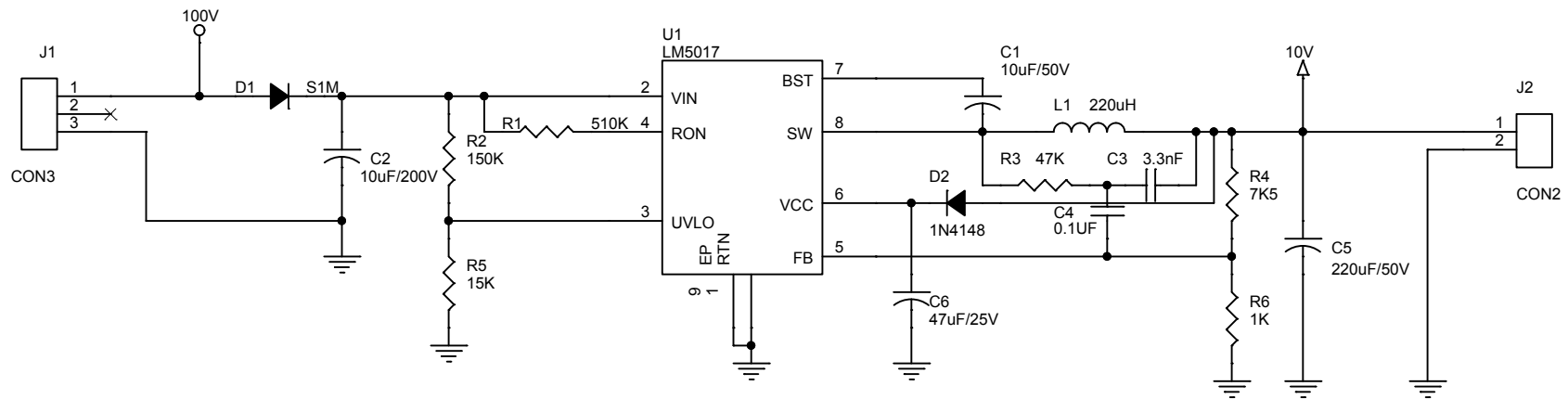


BL-520

www.BoardFree.kr



Title		
<Title>		
Size	Document Number	Rev
A4	<Doc>	<Rev C>
Date:	Thursday, May 26, 2016	Sheet 1 of 1