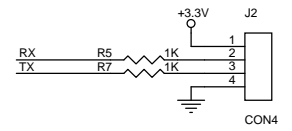
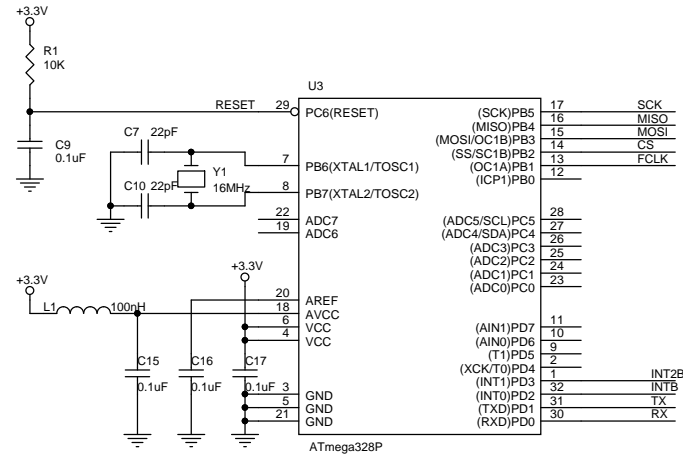
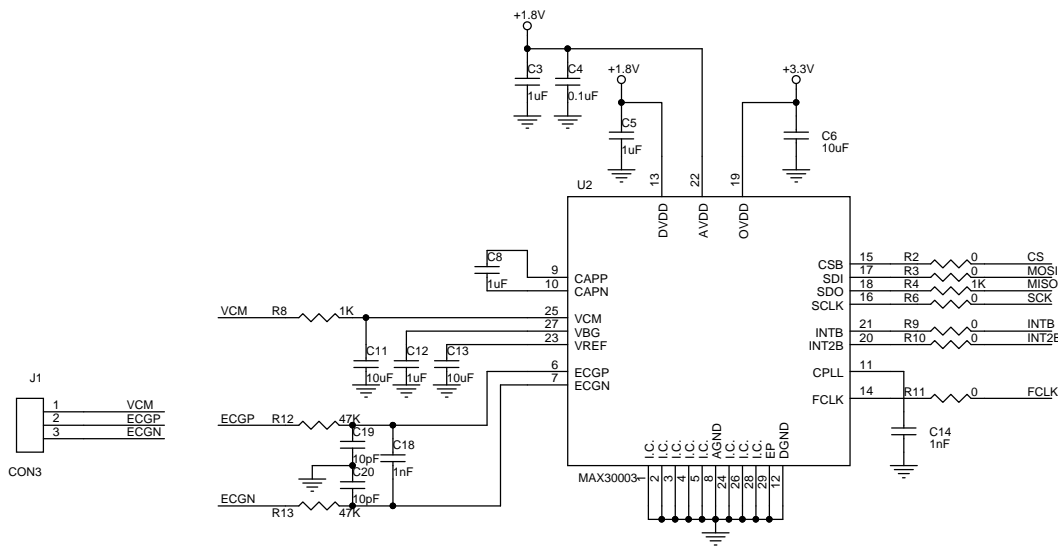
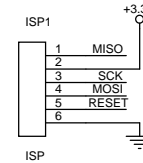
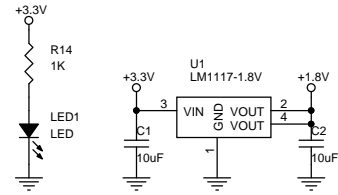


www.BoardFree.kr BL-552



| | | |
|----------|--------------------------|--------------|
| Title | | |
| -<Title> | | |
| Size | Document Number | Rev |
| A3 | <Doc> | <Rev Code> |
| Date: | Tuesday, August 13, 2019 | Sheet 1 of 1 |