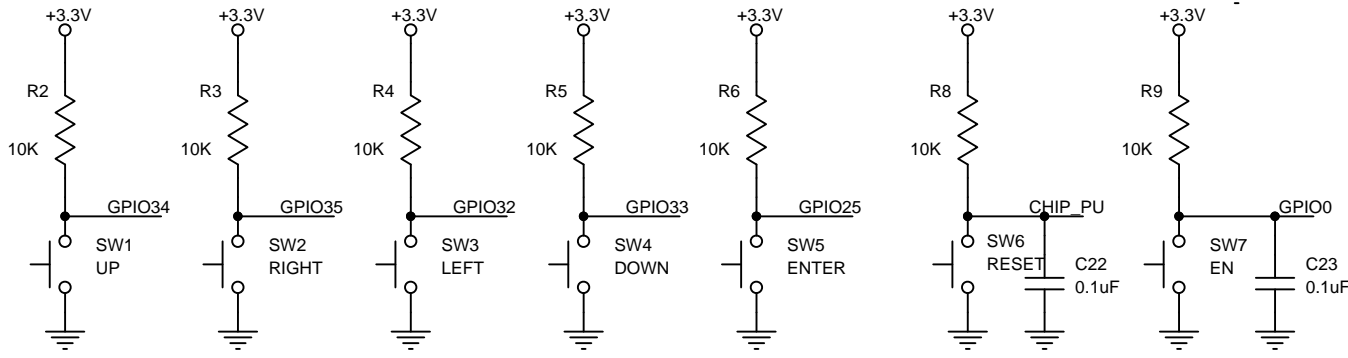


BL-553
www.BoardFree.kr



Title			<Title>
Size	Document Number	Rev	
A4	<Doc>	1.0	
Date:	Monday, April 08, 2019	Sheet	1 of 1